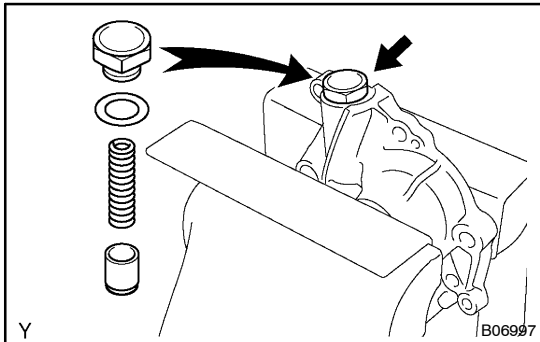


DISASSEMBLY

1. REMOVE DRIVE AND DRIVEN ROTORS

Pull out the drive and driven rotors.



2. REMOVE RELIEF VALVE

- (a) Carefully mount the oil pump body in a soft jaw vise.
- (b) Remove the plug, gasket, spring and relief valve.