

COMPRESSOR AND MAGNETIC CLUTCH

AC37X-01

ON-VEHICLE INSPECTION

1. INSPECT COMPRESSOR FOR METALLIC SOUND

Check there is abnormal metallic sound from the compressor when the A/C switch is ON.

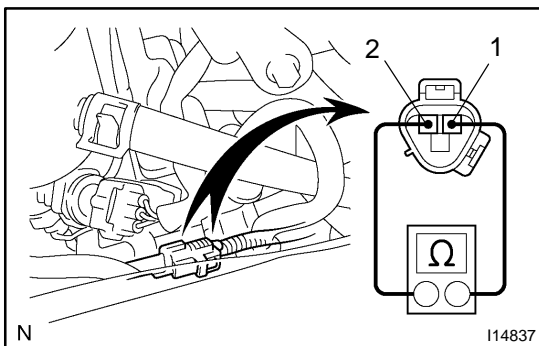
If abnormal metallic sound is heard, replace the compressor assembly.

2. INSPECT REFRIGERANT PRESSURE

(See page AC-3)

3. INSPECT VISUALLY FOR LEAKAGE OF REFRIGERANT

Using a gas leak detector, check for leakage of refrigerant. If there is any leakage, replace the compressor assembly.



4. INSPECT COMPRESSOR LOCK SENSOR RESISTANCE

- Disconnect the connector.
- Measure resistance between terminals 1 and 2.

Standard resistance: 990 - 1,210 Ω at 20°C (68 °F)

If resistance is not as specified, replace the compressor.

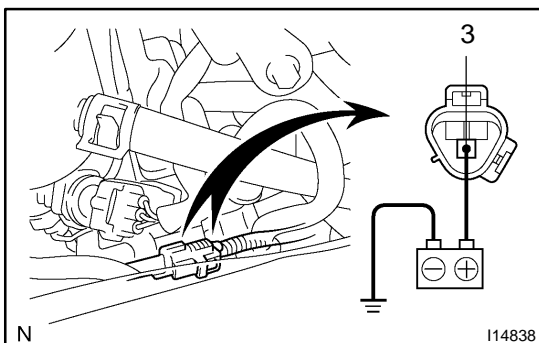
5. MAKE THESE VISUAL CHECKS:

- Leakage of grease from the clutch bearing.
- Signs of oil on the pressure plate or rotor.

6. INSPECT MAGNETIC CLUTCH BEARING FOR NOISE

- Start engine.
- Check for abnormal noise from the compressor when the A/C switch is OFF.

If abnormal noise is being emitted, replace the rotor of magnetic clutch.



7. INSPECT MAGNETIC CLUTCH OPERATION

- Disconnect the connector.
- Connect the positive (+) lead from the battery to terminal 3 and the negative (-) lead to the body ground.
- Check that the magnetic clutch is energized.

If operation is not as specified, replace the magnetic clutch.